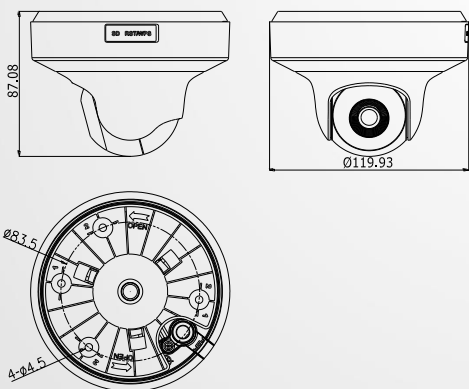


DS-2CD2F12F-I(W)(S) 1 MP CMOS Network Dome Camera



- 1/3" Progressive Scan CMOS
- Up to 1 megapixel resolution
- Digital WDR
- 3D DNR
- Support Wi-Fi, support WPS configuration (-W)
- Two-way audio (-S)
- Support pan and tilt
- Support 128G on-board storage
- 12V DC±25% & PoE(802.3af Class3)



DS-2CD2F12F-I(W)(S)

1 MP CMOS Network Dome Camera

Specification



Camera	
Image Sensor	1/3" Progressive Scan CMOS
Min. Illumination	0.01Lux @(F1.2,AGC ON), 0.028Lux @ (F2.0, AGC ON), 0 Lux with IR
Shutter Speed	1/3 s ~ 1/10,000 s
Slow Shutter	Support
Lens	2.8mm~6mm @ F2.0
Lens Mount	M12
Day & Night	IR cut filter with auto switch
WDR	Digital WDR
Pan & Tilt	Pan:-90° - 90°, Tilt: 0° - 75°
Compression	
Video	H.264/MJPEG
H.264 Type	Main Profile
Video Bit Rate	32 Kbps – 16 Mbps
Image	
Max. Resolution	1280 × 720
Frame Rate	50Hz: Main stream:25fps (1280 × 720), Sub stream: 25fps(352×288),25fps(640×360) 60Hz: Main stream: 30fps (1280 × 720), Sub stream: 30fps(352×240),30fps(640×360)
Image Enhancement	BLC/3D DNR/ROI
Image Setting	Rotate Mode, Saturation, Brightness, Contrast, Sharpness adjustable by client software or web browser
Day/Night Switch	Auto/Schedule/Triggered by Alarm In
Network	
Network Storage	NAS (Support NFS,SMB/CIFS), ANR, Built-in Micro SD/SDHC/SDXC card slot, up to 128 GB
Detection	Intrusion Detection, Line Crossing detection, Motion detection, Dynamic Analysis
Alarm Trigger	Tampering alarm, Network disconnect, IP address conflict, Storage exception
Protocols	TCP/IP, UDP, ICMP, HTTP, HTTPS, FTP, DHCP, DNS, DDNS, RTP, RTSP, RTCP, PPPoE, NTP, UPnP, SMTP, SNMP, IGMP, 802.1X, QoS, IPv6, Bonjour
Security	One-key reset, Anti-Flicker, heartbeat, mirror, password protection, privacy mask, watermark, IP address filtering, Anonymous access
Standard	ONVIF(PROFILE S,PROFILE G),PSIA,CGI,ISAPI
General	
Operating Conditions	-10 °C – 40 °C (14 °F – 104 °F), Humidity 95% or less (non-condensing)
Power Supply	12V DC±25%, PoE (802.3af Class3)
Power Consumption	Max. 5 W (Max. 7 W with IR cut filter on), Max. 9W with pan and tilt
IR Range	Approx. 10 meters
Material	Top Cover: Plastic ; Base: Metal
Dimensions	Φ119.93×87.08 mm (4.72"×3.43")
Weight	500g (1.1 lbs)
Order Model	
DS-2CD2F12F-IZ, DS-2CD2F12F-IWZ, DS-2CD2F12F-ISZ, DS-2CD2F12F-IWSZ	